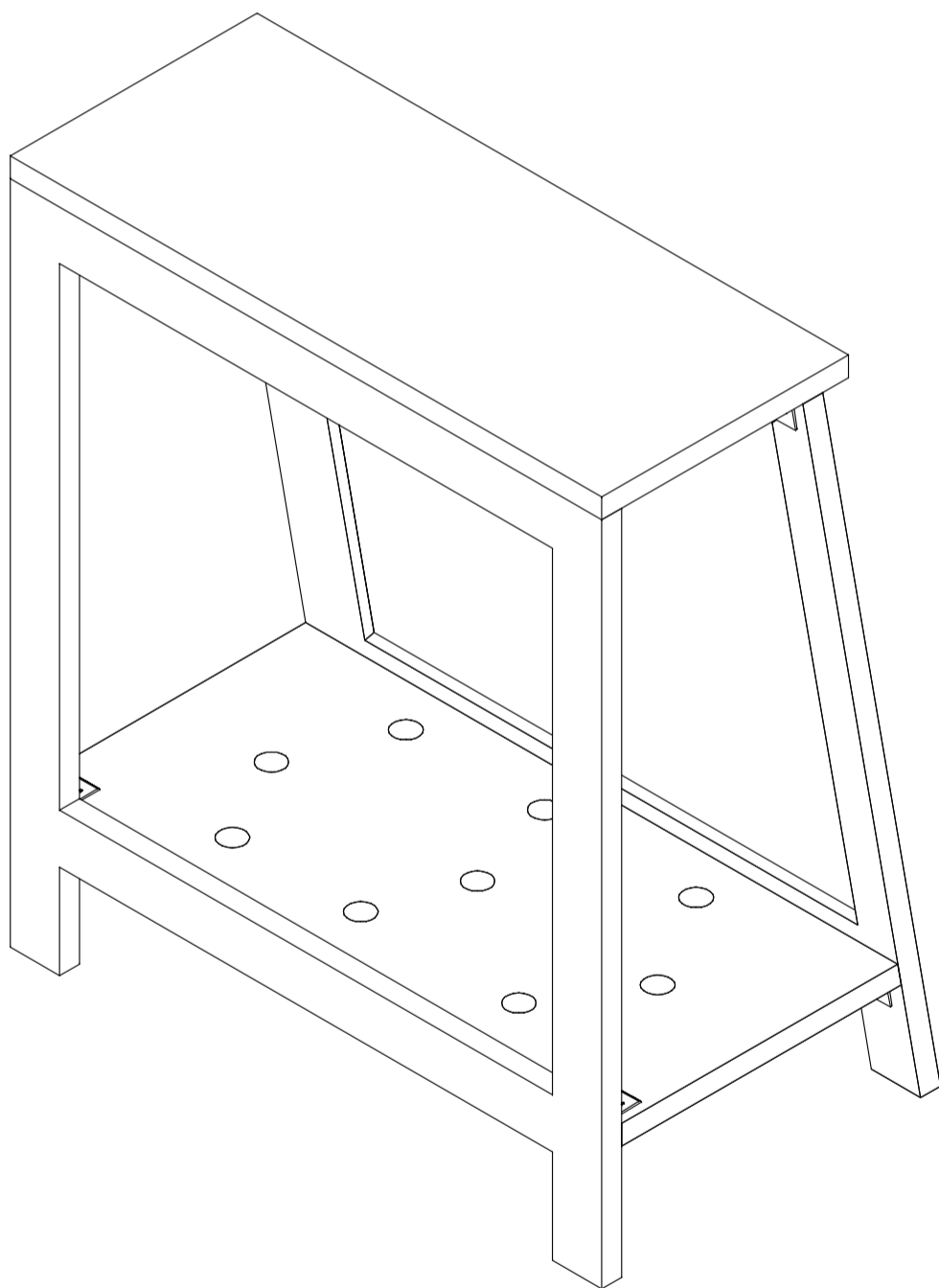




Love Your Cat.
Love Your Home.™

A-Frame Cat Bed

Assembly Instructions
v5



For video instructions on assembling
your A-Frame Cat Bed, visit:
TheRefinedFeline.com/assembly/
or scan QR code:

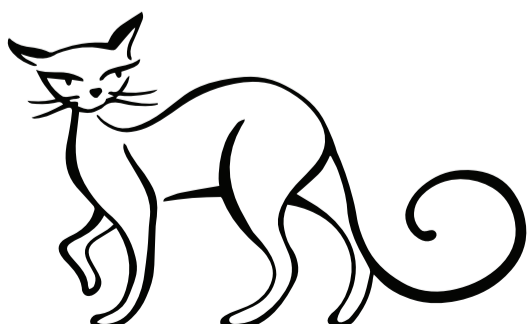


Need more help?
800-289-6136
Support@TheRefinedFeline.com

Share a photo of your cat on
their new A-Frame Cat Bed!

Find us on Facebook or tag on Instagram:

#AFrameCatBed
@RefinedFeline

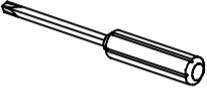
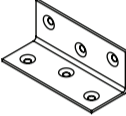
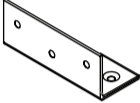




© RefinedKind Pet Products. All Rights Reserved

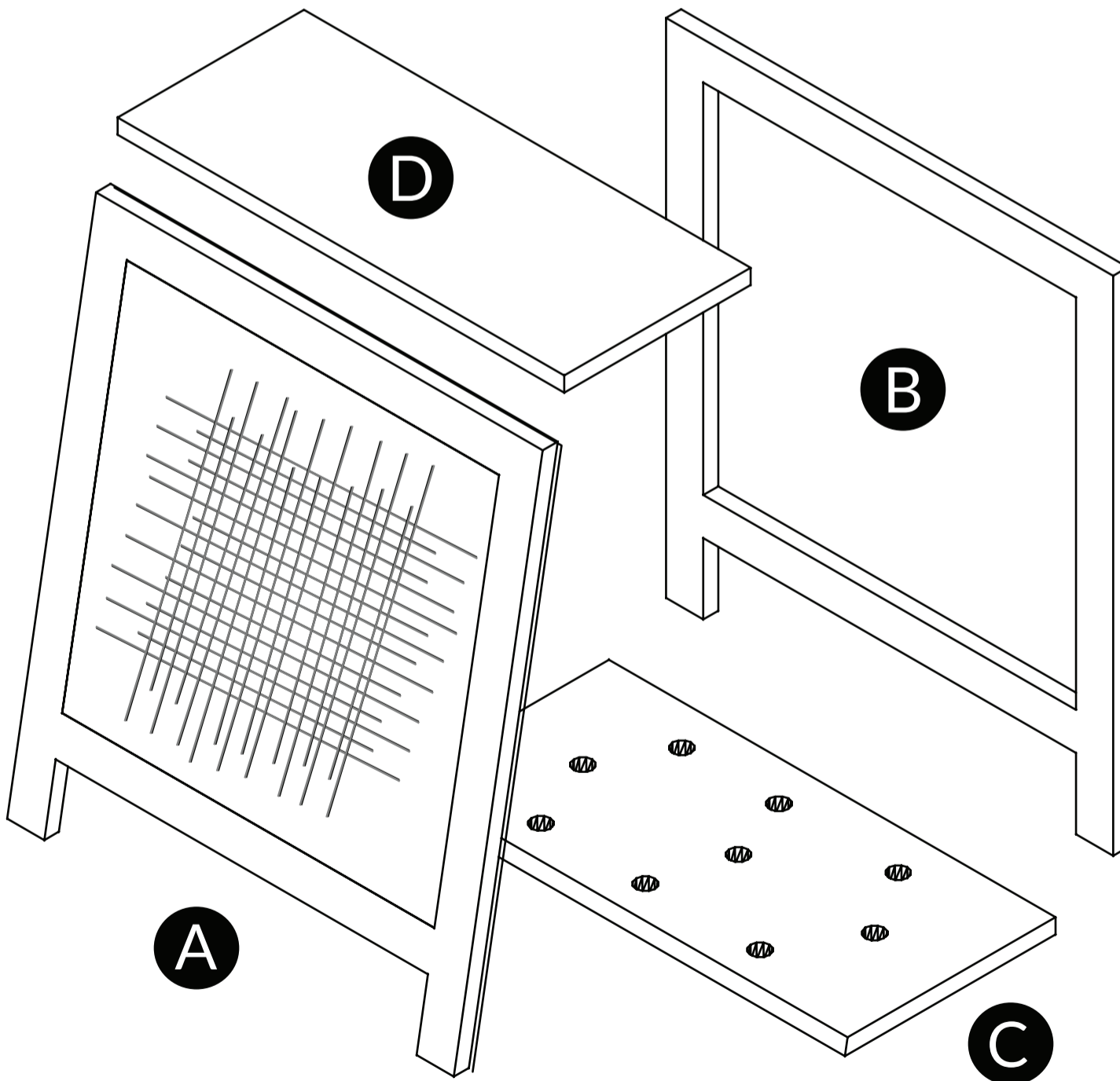


WHAT'S IN THE BOX?

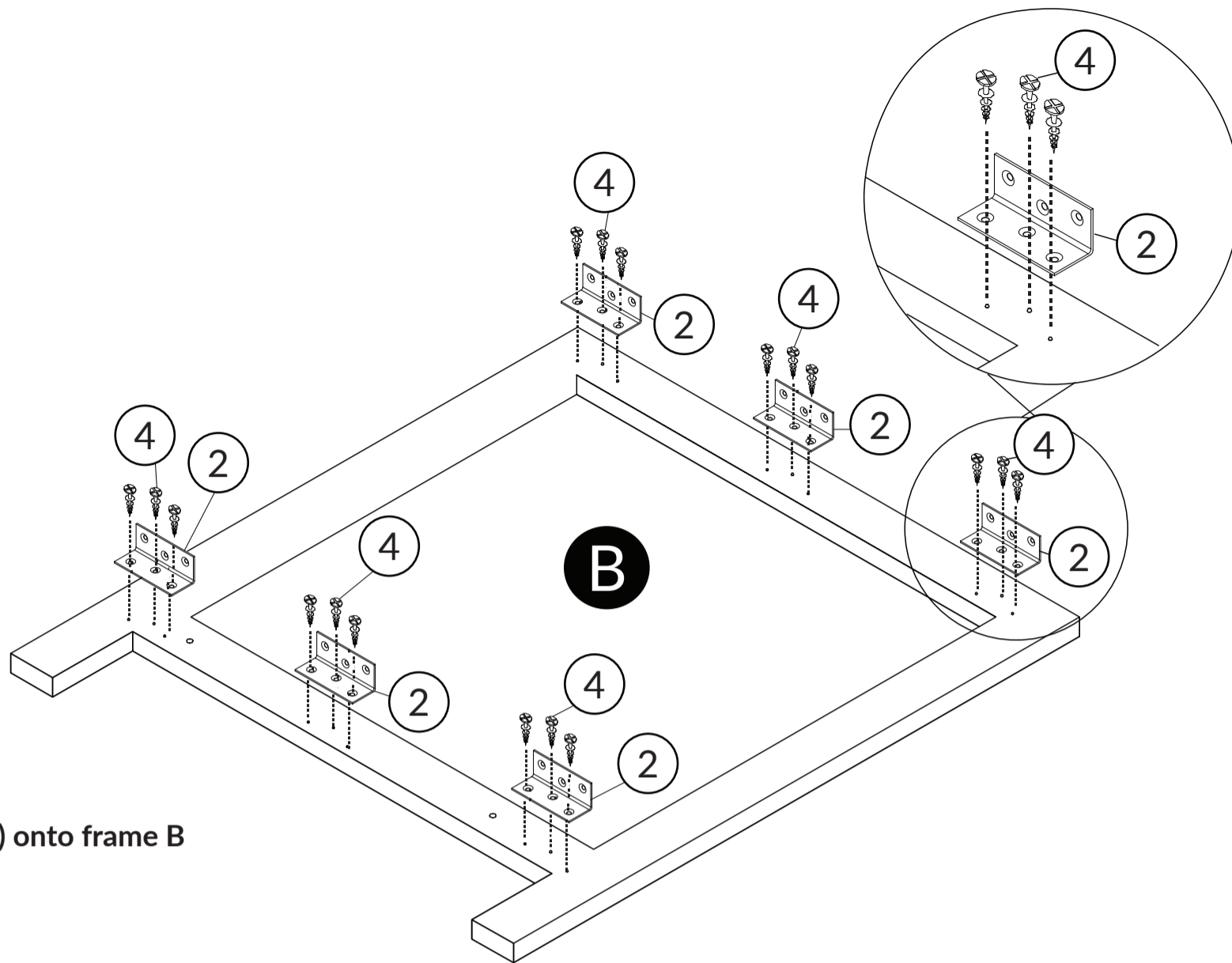
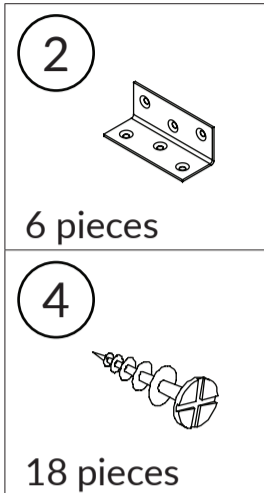
Hardware

- | | | | | |
|---|---|--|---|---|
| ① | ② | ③ | ④ | ⑤ |
|  |  |  |  |  |
| Screw Driver 1 pieces | 90° Brackets 6 pieces | 110° Brackets 6 pieces | Wood Screws #7x15mm 72 pieces | Wood Dowels Ø8x30mm 8 pieces |

Parts

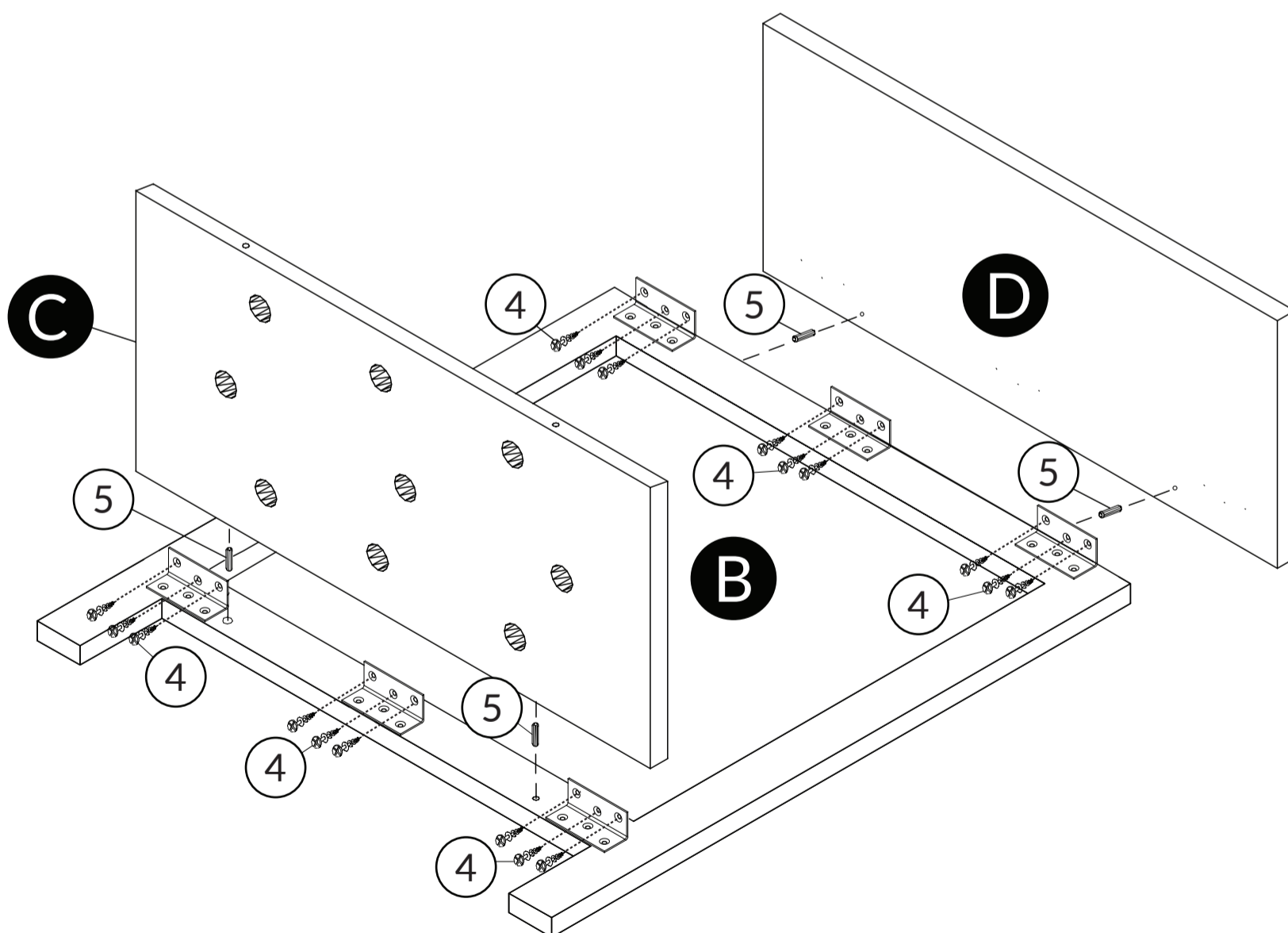
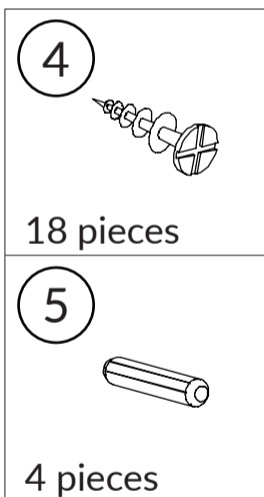


1



Attach 90° brackets (#2) onto frame B with screws (#4).

2

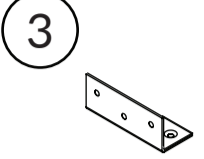
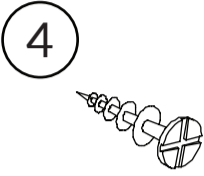
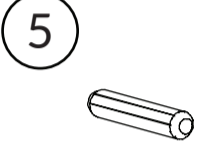


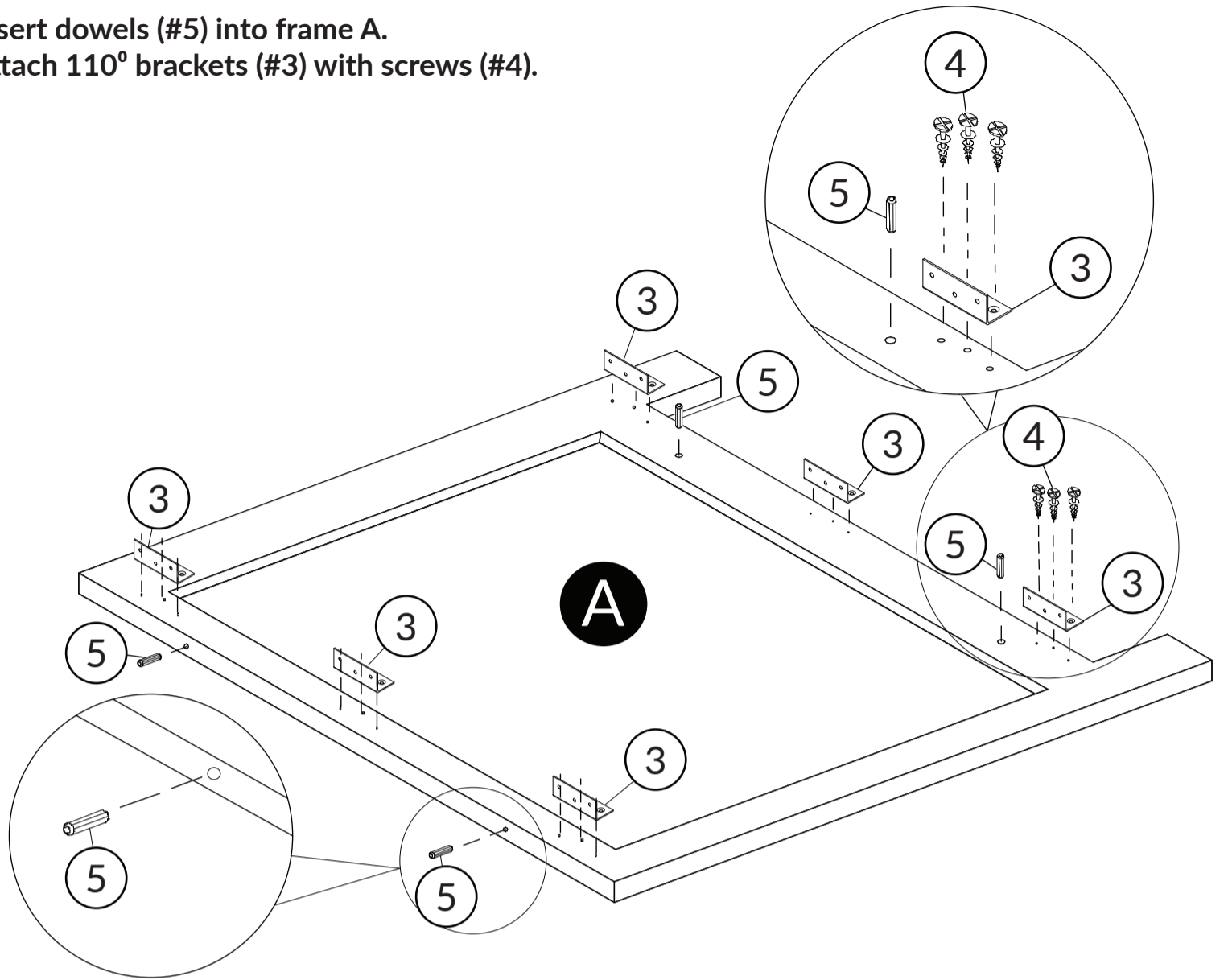
Insert dowels (#5) into part B then attach C and D. Secure to brackets with screws (#4).



3

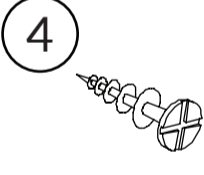
Insert dowels (#5) into frame A.
Attach 110° brackets (#3) with screws (#4).

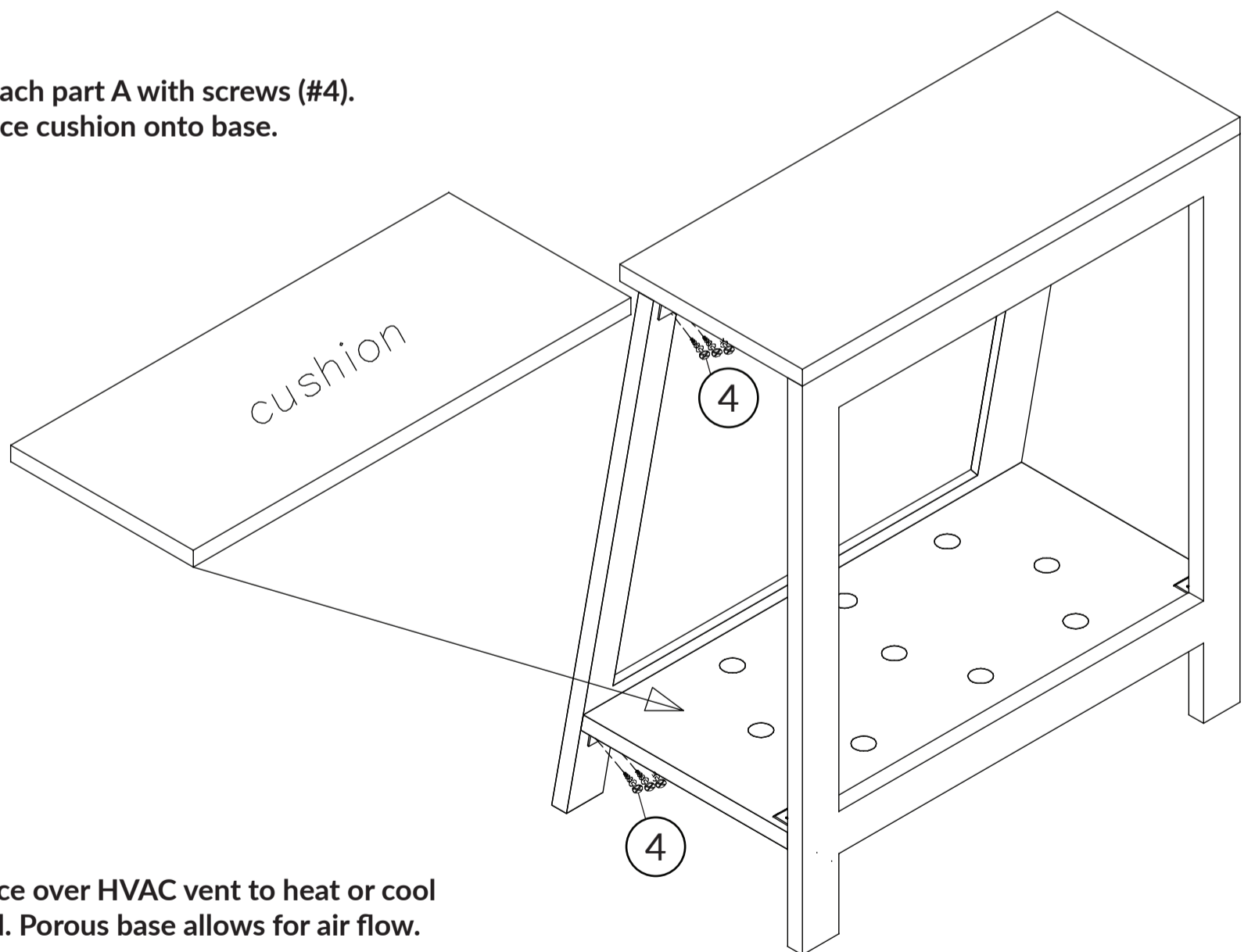
-  3
6 pieces
-  4
18 pieces
-  5
4 pieces



4

Attach part A with screws (#4).
Place cushion onto base.

-  4
18 pieces



Tip: Place over HVAC vent to heat or cool bed. Porous base allows for air flow.



About The Refined Feline

The Refined Feline's mission is to bring modern, innovative designs to cat furniture. We strive to reinvent how people view the products that they and their feline companions use in their shared space. All our cat trees, cat wall shelves, cat beds, and litter box furniture are thoughtfully crafted to be the best they can be for you, your home, and your cats. Our team of dedicated cat lovers believes that cat furniture should be embraced and admired as an integral part of your home, just like your cat.

Our cat furniture is about much more than just looking great in your home though; functionality is just as important. Our multipurpose and customizable cat furniture features replaceable parts so that you can always keep it looking fresh. We knew that cat furniture could be better, so we raised the standards. As we say at The Refined Feline: **Love Your Cat. Love Your Home.**

Warranty

We offer consumers a 6-month limited warranty. Warranty covers manufacturer defect and not wear and tear. Consumers are responsible for shipping cost of returning the product. Please contact Customer Service for an RMA# at (800) 289-6136 or support@therefinedfeline.com.

Care Guide

Cushion covers are machine washable, cold, gentle cycle. Color may bleed. Sisal is NOT machine washable. Use pet approved spot cleaner.

Go to www.TheRefinedFeline.com to see our full product line as well as order replacement parts.

Have questions?

800-289-6136

Support@TheRefinedFeline.com

For video instructions on
assembling your A-Frame Cat Bed,
Visit: TheRefinedFeline.com/assembly/
or scan QR code:



Share a photo of your cat on
their new A-Frame Cat Bed!

Find us on Facebook or tag on
Instagram:
#AFrameCatBed
@RefinedFeline



© RefinedKind Pet Products. All Rights Reserved